

**Installation and User's Guides**

This document is the installation guide for the AT-MMCTRAY6 6-slot Tray for the MMC Series Media Converters. The tray provides rack-mount installation for up to 6 MMC Series Media Converters. The tray itself does not provide power to the MMC Series Media Converters.

**Contacting Allied Telesis**

If you need assistance, you may contact Allied Telesis technical support by going to the Support & Services section of the Allied Telesis web site at [www.alliedtelesis.com/support](http://www.alliedtelesis.com/support).

**Safety Standards**

- UL60950-1 (cUL-US)
- EN60950-1 (TUV)

**Translated Safety Statements**

**Important:** The indicates that translations of the safety statement are available in the PDF document **Translated Safety Statements** posted on the Allied Telesis website at [alliedtelesis.com/support](http://alliedtelesis.com/support).

**Operating Environment**

- Operating Temperature: 0 to 50C (32 to 122 F)
- Storage: -15 to 65C (-5 to 149F)
- Relative Humidity: 5% to 95% non-condensing
- Altitude: 0 to 10,000ft.

**Preparing the Site**

Be sure to observe the following guidelines when planning the installation of your tray.

- The equipment rack that you install your tray should be safely secured so that the rack does not tip over.
- Air flow around the tray should not be restricted.
- Do not place object on the top of the tray or installed media converters.
- Do not expose the tray to moisture or water.



**Package Contents of the AT-MMCTRAY6 Tray**

The following items should be in the shipping containers:

Name	Component
AT-MMCTRAY6 tray	
6 Carrier Brackets	
24 Screws for the Carrier Bracket	 M3x4mm Phillips recessed flat-head at 120° included angle
One Set of Brackets	
8 Screws for the Brackets	

If any item is missing or damaged, contact your Allied Telesis sales representative for assistance. Retain the original shipping material in case you need to return the unit to Allied Telesis.

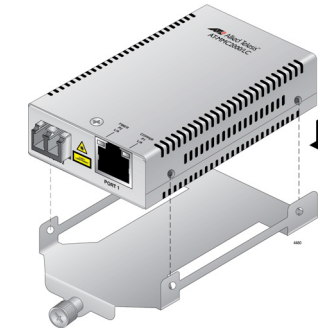
**Attaching a Media Converter to the Carrier Bracket**

To install a media converter into the MMCTRAY6 tray, you must attach the media converter to the carrier bracket. To attach a media converter to the carrier bracket, perform the following procedure.

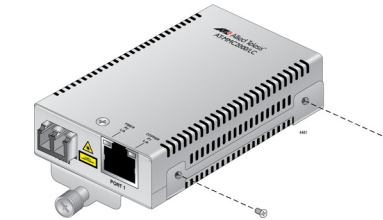
**Note**

You must provide a Phillip-head screwdriver.

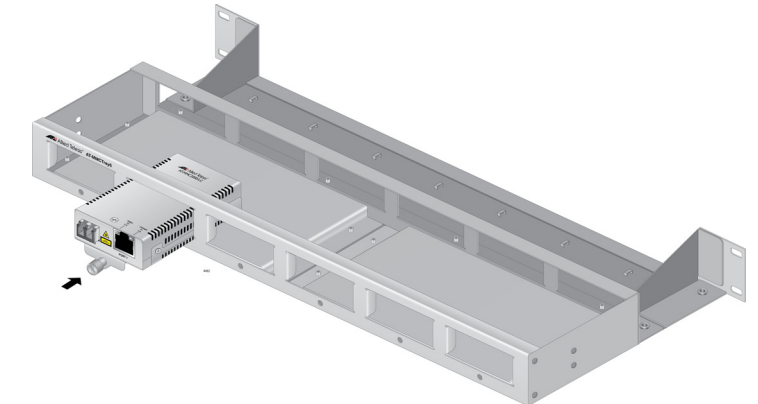
1. Place the media converter in the carrier bracket.



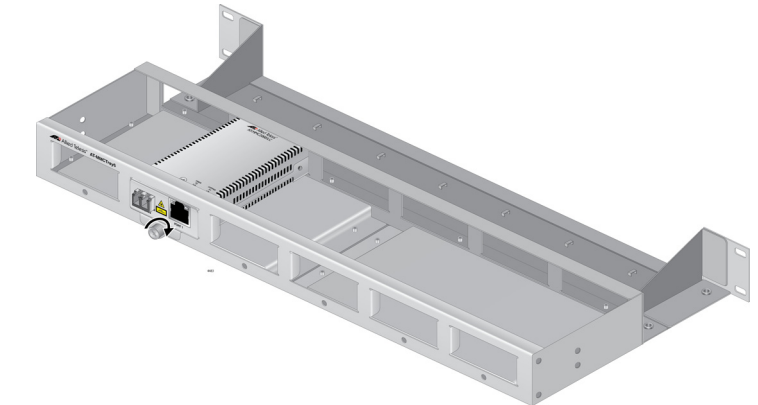
2. Tighten four screws to attach the carrier bracket and media converter.



3. Slide the media converter assembly into the tray.



4. Tighten the captive screw on the carrier bracket to secure the media converter assembly in the tray.



5. Repeat the procedure for other media converters as needed.

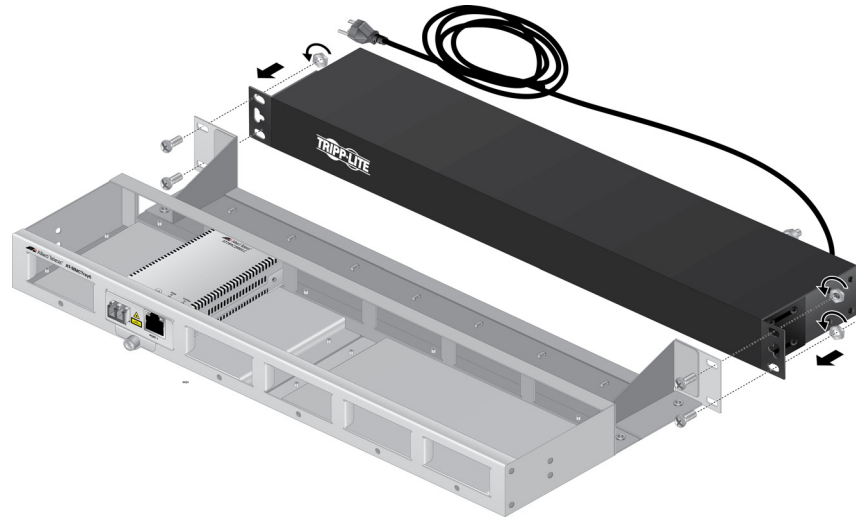
## Installing a Power Supply Unit to the Tray (Optional)

You may attach a power supply unit to the tray as needed. To attach a power supply unit to the tray, see the following procedure as an example:

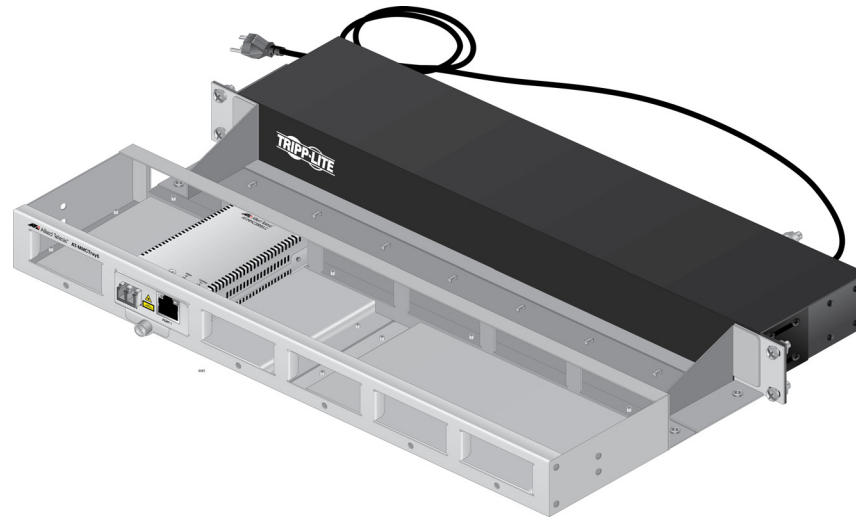
### Note

Allied Telesis does not sell a power supply for the MMCTRAY6 tray. Before attaching your power supply to the AT-MMCTRAY6 tray, be sure to observe the safety cautions for the power supply.

1. Align a power supply unit to the tray.



2. Tighten the screws.



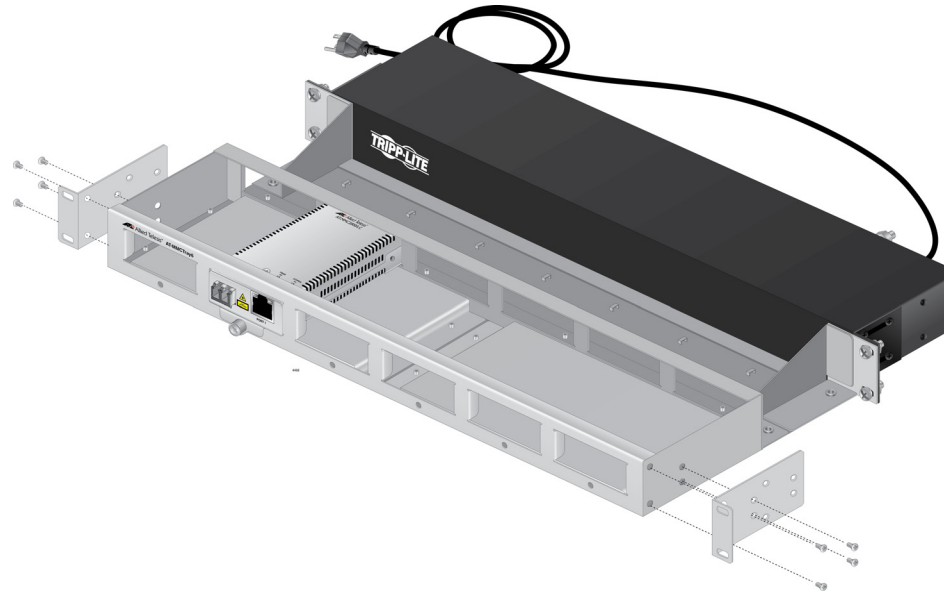
## Attaching the Brackets to the Tray

Before installing the tray in an equipment rack, you must attach the brackets to the tray. Perform the following procedure:

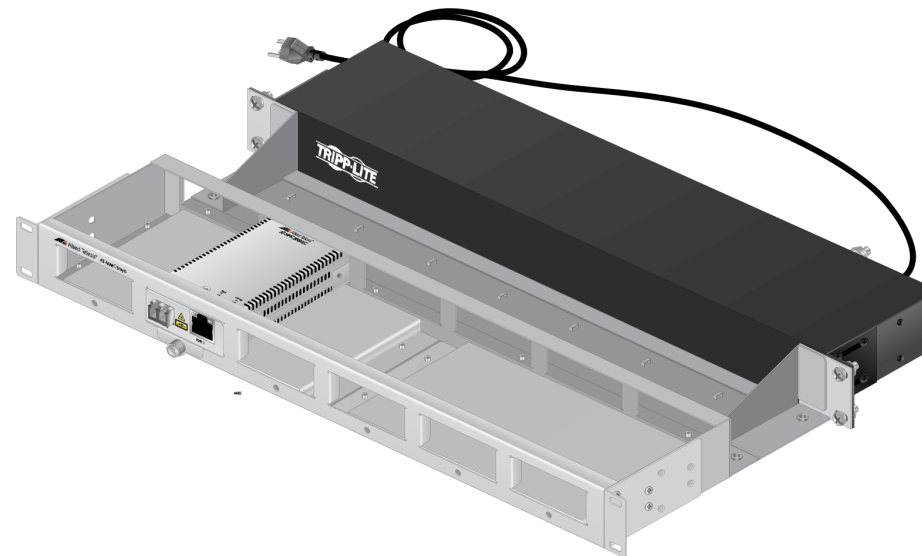
### Note

You must provide a Phillip-head screwdriver.

1. Align the brackets to the tray.



2. Tighten the screws.



## Installing the Tray in a 19-inch Equipment Rack

To install the MMCTRAY6 tray in a 19inch equipment rack, perform the following procedure:

### Note

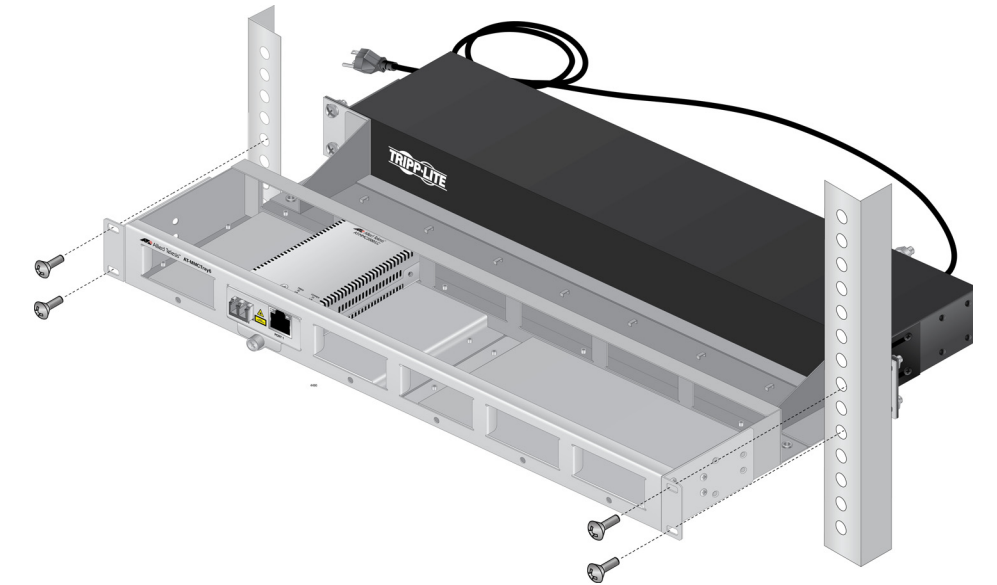
You must provide a Phillip-head screwdriver and screws for attaching the tray to the equipment rack.



### Warning

Mounting of the equipment in the rack should be such that a hazardous condition is not created due to uneven mechanical loading. **E25**

1. Mount the tray on the rack with two screws on each side.



2. Tighten the screws.

